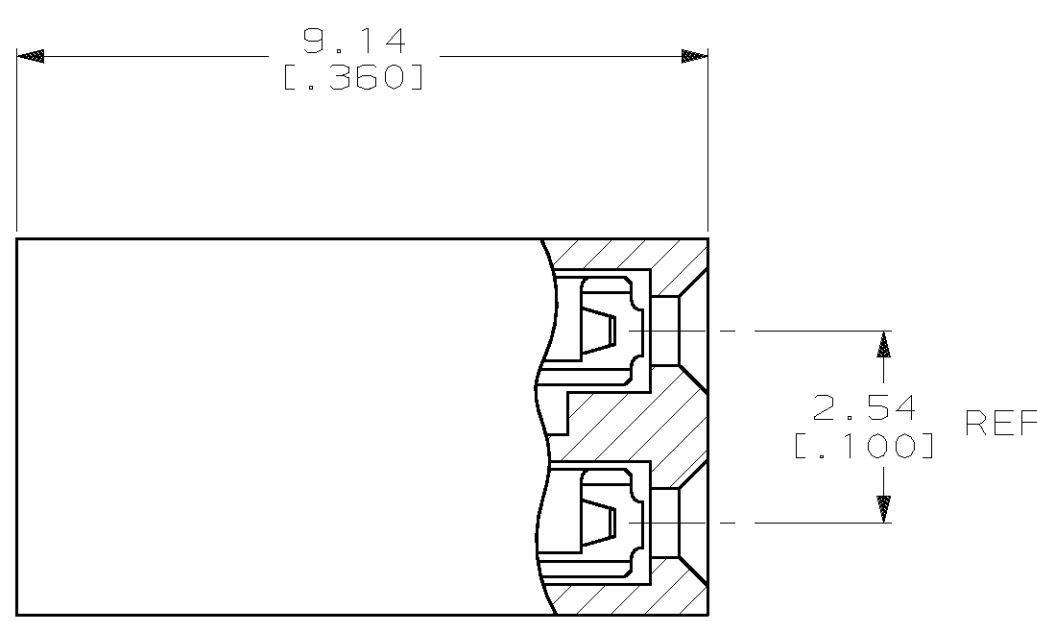
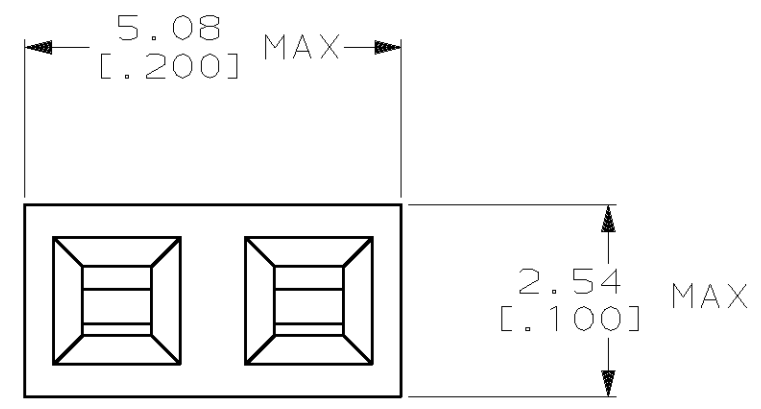
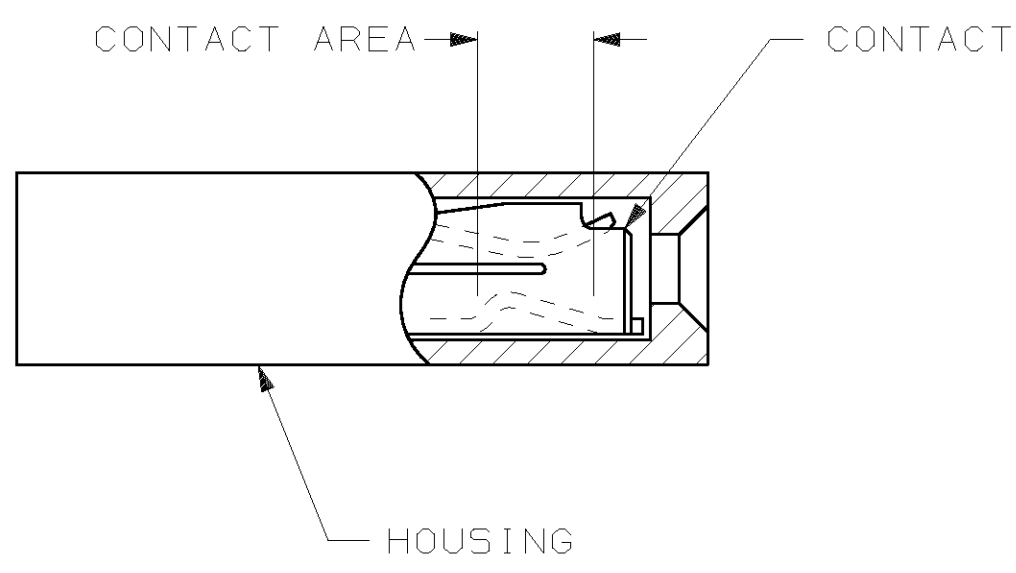


THIS DRAWING IS UNPUBLISHED. RELEASED FOR PUBLICATION ,19 .
 © COPYRIGHT 19 BY AMP INCORPORATED. ALL INTERNATIONAL RIGHTS RESERVED.

LOC	DIST	P	F	ZONE	LTR	DESCRIPTION	DATE	APPD
AG	53					T REV PER 0G3C-0653-04	18JAN04	MM



- 1 MATERIAL:
HOUSING: FLAME RETARDANT NYLON, 94V-0,
OR FLAME RETARDANT POLYESTER 94V-0.
CONTACT: PHOSPHOR BRONZE.
- 2 CONTACT PLATED WITH 0.00076 [.000030] GOLD INLAY OVER
0.00076 [.000030] NICKEL IN CONTACT AREA ONLY.
- 3 CONTACT PLATED WITH 0.0013 [.000050] GOLD INLAY OVER
0.00076 [.000030] NICKEL IN CONTACT AREA ONLY.
- 4 CONTACT PLATED WITH 0.0025 [.000100] TIN OVER ALL.
- 5 CONTACT PLATED WITH 0.00038 [.000015] GOLD INLAY OVER
0.00076 [.000030] NICKEL IN CONTACT AREA ONLY.
- 6. HOUSING CUT-OFF BURR NOT EXCEED 0.13 [.005].
- 7. CONNECTOR MATES WITH 0.61 [.024] TO 0.66 [.026] SQUARE
PIN. PIN LENGTH 4.45 [.175] MIN. TO 8.38 [.330] MAX.
- 8 CONTACT PLATED WITH 0.0025 [.000100] MATTE TIN OVER ALL.



FINISH	HOUSING COLOR	PART NO
OBsolete	8 BLACK	4-530153-1
OBsolete	5 BLACK	3-530153-2
OBsolete	4 BLACK	2-530153-2
OBsolete	4 NATURAL	2-530153-1
OBsolete	3 BLACK	1-530153-2
OBsolete	RED	1-530153-0
OBsolete	2 BLUE	530153-6
OBsolete	2 YELLOW	530153-4
OBsolete	2 BLACK	530153-2
OBsolete	NATURAL	530153-1

DO NOT SCALE PRINT. UNLESS SPECIFIED DIMENSIONS IN mm [INCHES] TOLERANCES ON : 2 PLC DEC ± 0.25 [.010] 3 PLC DEC ± - ANGLES ± -		DR 3-12-91 R.TALLEY	AMP Incorporated Harrisburg, PA 17105-3608	
MATERIAL		CHK 3-19-91 R.MILLER		
FINISH SEE TABLE		APPD 3-19-91 D.HUFFMAN	NAME TANDEM SPRING SHUNT CONNECTOR 2 POSITION, 2.54 [.100] CL	
MATERIAL		APPD 3-19-91 M.STADDON	DRAWING NO 530153	
FINISH SEE TABLE		PRODUCT SPEC 108-9062	SIZE C	CAGE CODE 00779
FINISH SEE TABLE		APPLICATION SPEC 114-1045	SCALE 10:1	SHEET 1 OF 1
FINISH SEE TABLE		WEIGHT -	DRAWING NO 530153	